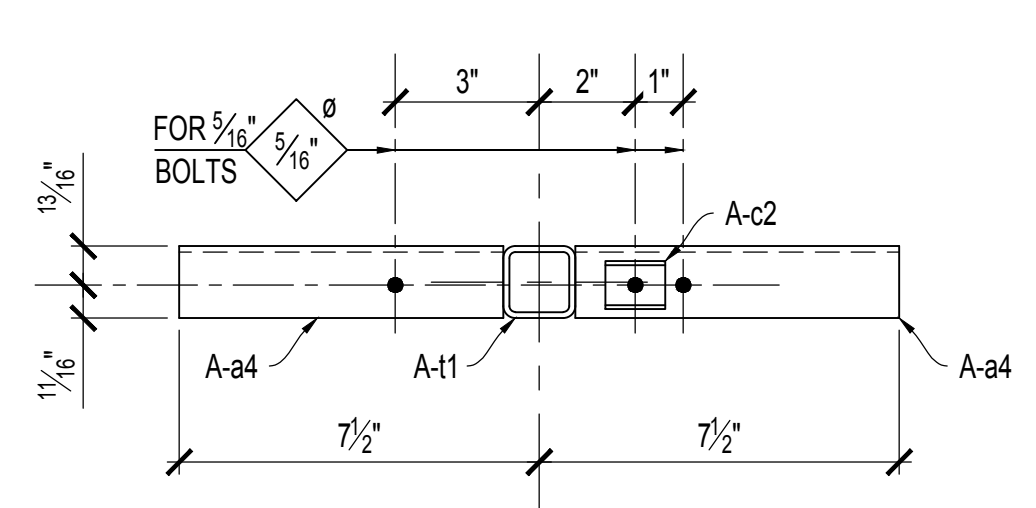
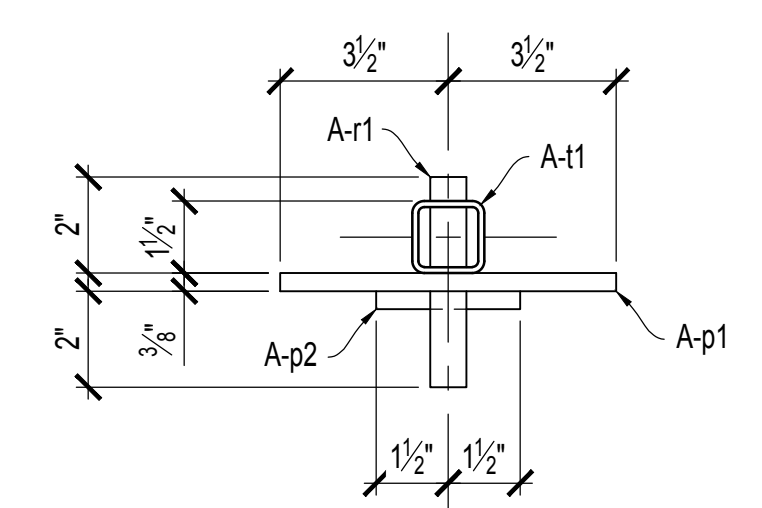


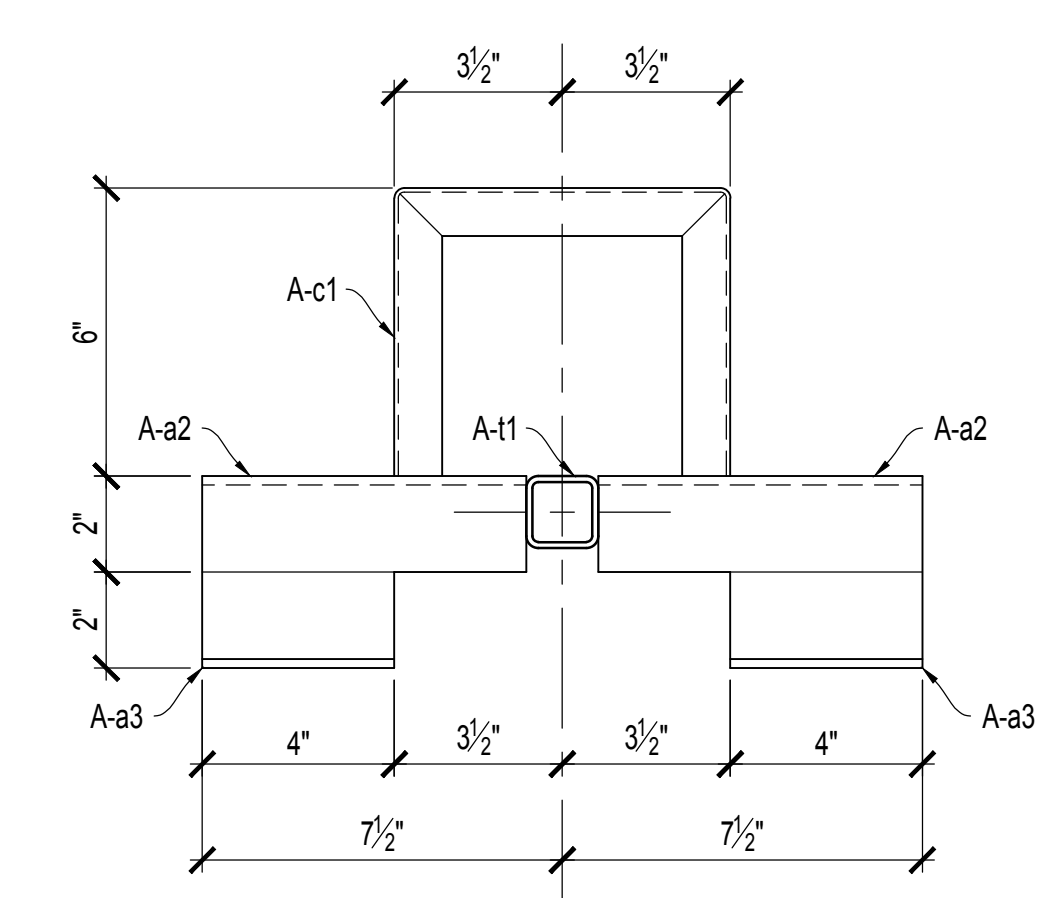
ONE-FRAME



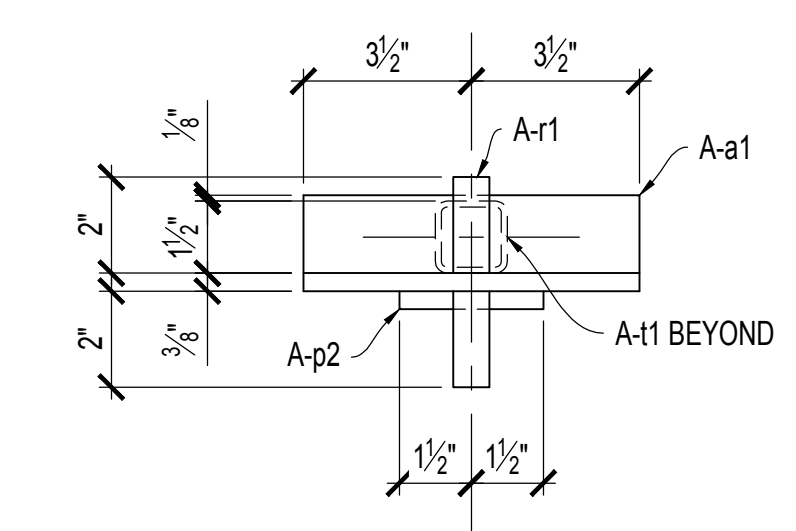
A-A



B-B



C-C



D-D

NOTE:
FRAMES DIMENSIONED
FOR USE WITH LITTLE
ENGINES TRUCK #1.

QTY	MARK	DESCRIPTION	FT	IN	WT	SPECIFICATION	REMARKS
ONE		FRAME					
1	A-t1	HSS 1 1/2 x 1 1/2 x 11 GA	6	3 1/2	14.2	ASTM A500 GR.C	
2	A-c1	C 1 x 1/2 x 1/8 (BENT)	1	7	1.3	ASTM A36	(6 x 7 x 6)
1	A-c2	C 1 x 1/2 x 1/8	0	1 1/4	0.1	ASTM A36	
1	A-a1	L 3 x 2 x 3/8	0	7	3.4	ASTM A36	
4	A-a2	L 2 x 2 x 3/16	0	6 3/4	1.4	ASTM A36	
4	A-a3	L 2 x 2 x 3/16	0	4	0.8	ASTM A36	
2	A-a4	L 1 1/2 x 1 1/2 x 1/8	0	6 3/4	0.7	ASTM A36	
1	A-p1	PL 3/8 x 3	0	7	2.2	ASTM A36	
2	A-p2	PL 3/8 x 3	0	3/8	0.1	ASTM A36	
2	A-r1	3/4"Ø ROD	0	4 3/8	0.5	ASTM A36	

HOLES: 13/16" UNO WELD: 70 KSI ELECTRODES UNO PAINT: SHOP PRIMER

FABREGAS DESIGN SERVICES

 ATHENS, GEORGIA 30606
 P: (706) 296-8051

11-7-2020	JMFVI	PRELIMINARY
MARK	DATE	BY
		DESCRIPTION

NORTH GEORGIA LIVE STEAMERS

 P.O. BOX 1809, CONYERS, GEORGIA 30012

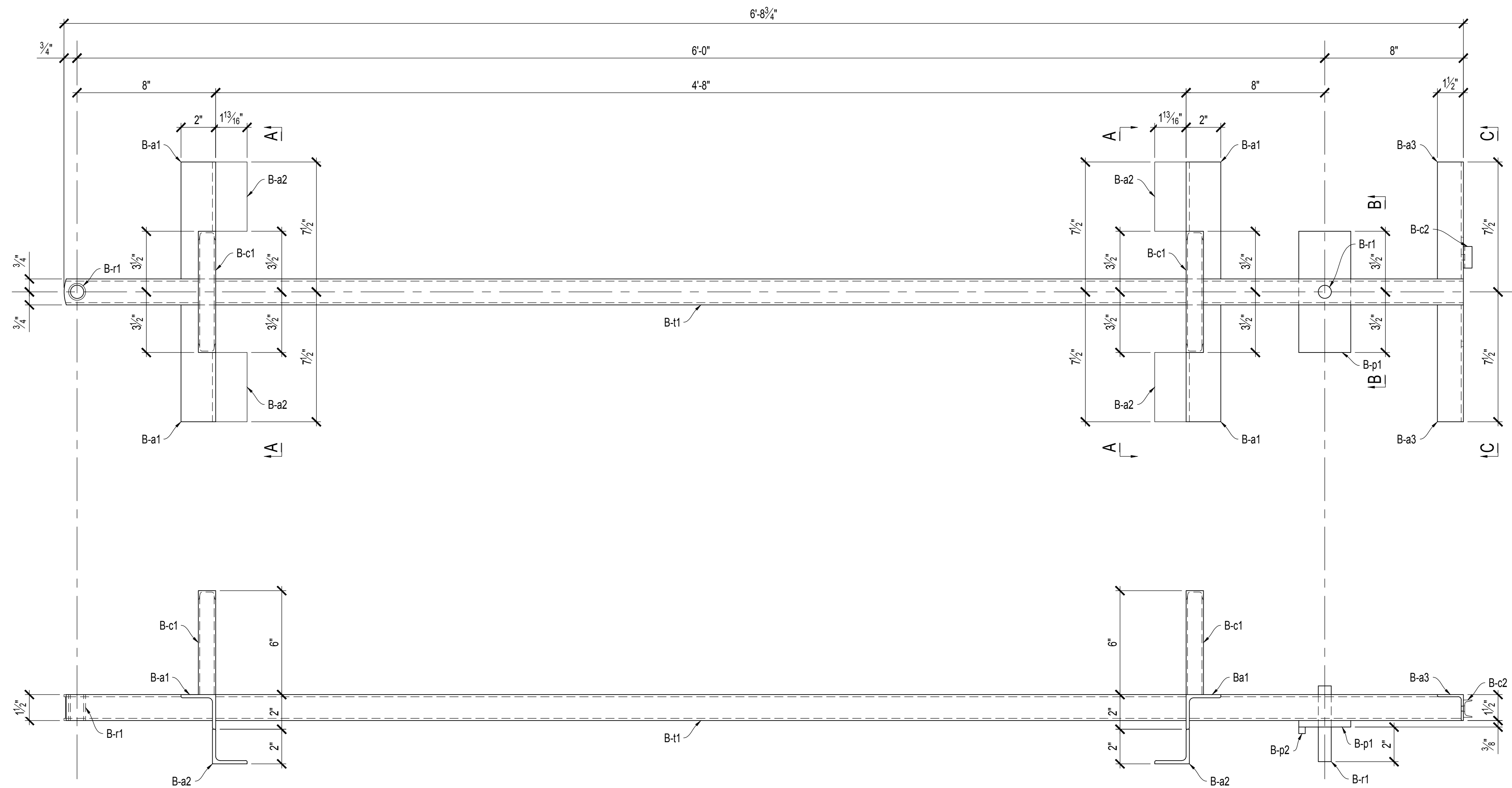
CONYERS & HIGHTOWER TRAIL RR

 1632 CENTENNIAL OLYMPIC PARKWAY
 CONYERS, GEORGIA 30013

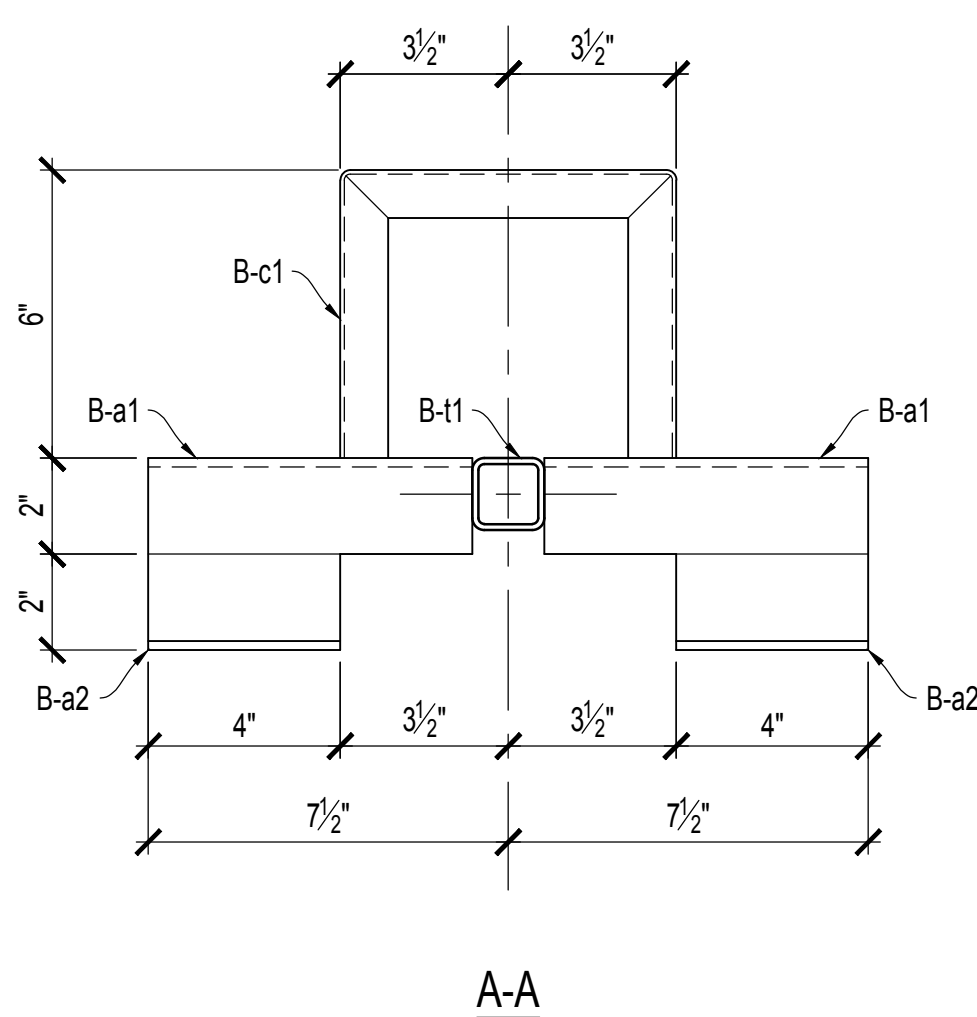
RIDING CARS

DRAWN: JMFVI	DATE: 11-7-2020	A-UNIT
CHECKED: DATE:	DATE:	TYPICAL NEW CAR
APPROVED: DATE:	DATE:	
PROJECT NO: NGLS	FILE NAME: NGLS-01-A-UNIT-T	ORIGINAL SIZE: 36"x24"
		A-UNIT-T
		SHEET 1 OF 3

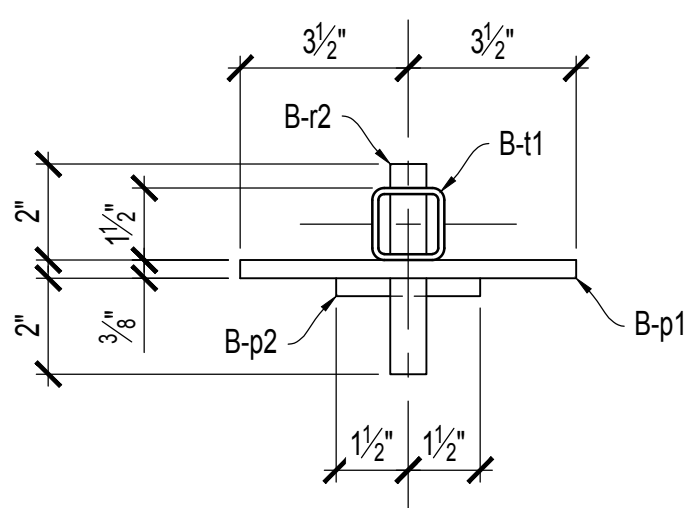
MODEL CENTER, NGLS COOPERATIVE
 PRINTED BY: USER | DATE: Saturday, November 07, 2020 5:56:53 AM | DRAWING FILE: F:\train\riding Cars 2020\NGLS-01-A-UNIT-T.dwg | LAST MODIFIED: Friday, October 09, 2020 3:51:16 PM



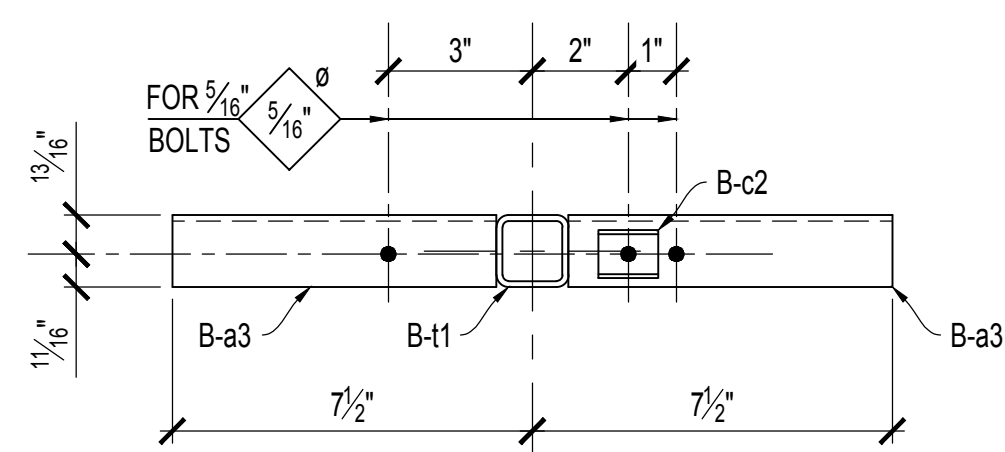
ONE-FRAME



A-A



B-B



C-C

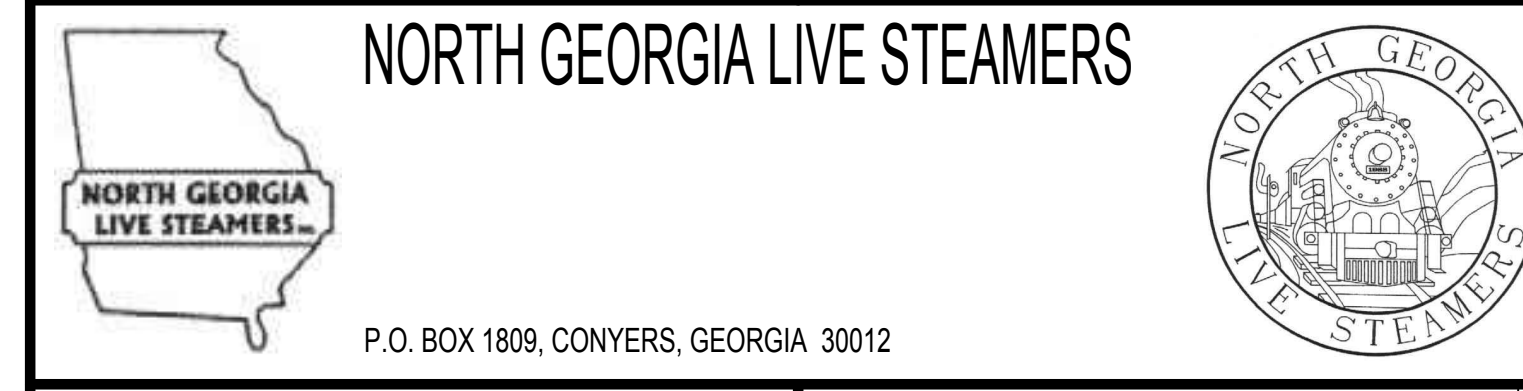
NOTE:
FRAMES DIMENSIONED
FOR USE WITH LITTLE
ENGINES TRUCK #1.

QTY	MARK	DESCRIPTION	FT	IN	WT	SPECIFICATION	REMARKS
ONE		FRAME					
1	B-11	HSS 1 1/2 x 1 1/2 x 11 GA	6	8 3/4	15.2	ASTM A500 GR.C	
2	B-c1	C 1 x 1/2 x 1/8 (BENT)	1	7	1.3	ASTM A36	(6 x 7 x 6)
1	B-c2	C 1 x 1/2 x 1/8	0	1 1/4	0.1	ASTM A36	
4	B-a1	L 2 x 2 x 3/16	0	6 3/4	1.4	ASTM A36	
4	B-a2	L 2 x 2 x 3/16	0	4	0.8	ASTM A36	
2	B-a3	L 1 1/2 x 1 1/2 x 1/8	0	6 3/4	0.7	ASTM A36	
1	B-p1	PL 3/8 x 3	0	7	2.2	ASTM A36	
1	B-p2	PL 3/8 x 3	0	3/8	0.1	ASTM A36	
1	B-r1	1" ROD	0	1 1/2	0.3	ASTM A36	MACHINED 0.9840D / 0.764ID
1	B-r2	3/4" ROD	0	4 3/8	0.5	ASTM A36	

HOLES: 13/16" UNO WELD: 70 KSI ELECTRODES UNO PAINT: SHOP PRIMER



11-7-2020 JMFVI PRELIMINARY
MARK DATE BY DESCRIPTION



© COPYRIGHT 2020. UNAUTHORIZED USE OF ANY KIND, INCLUDING USE ON OTHER PROJECTS, IS PROHIBITED. ANY ALTERATIONS OR REPRODUCTIONS MUST BE AUTHORIZED IN WRITING BY NORTH GEORGIA LIVE STEAMERS.

DRAWN: JMFVI DATE: 11-7-2020
CHECKED: DATE:
APPROVED: DATE:

PROJECT NO: NGLS
FILE NAME: NGLS-02-B-UNIT-T
ORIGINAL SIZE: 36"x24"

B-UNIT
TYPICAL NEW CAR


B-UNIT-T
SHEET 2 OF 3

MODEL CENTER: NGLS-COOLIDGELENZE
 PRINTED BY: USER DATE: Saturday, November 07, 2020 5:58:11 AM I DRAWING FILE: F:\train\riding Cars 2020\NGLS-02-B-UNIT-T.dwg I LAST MODIFIED: Friday, October 09, 2020 3:51:31 PM


QTY	MARK	DESCRIPTION	FT	IN	WT	SPECIFICATION	REMARKS
ONE		FRAME					
1	C-11	HSS 1 1/2 x 1 1/2 x 11 GA	6	7 1/4	14.9	ASTM A500 GR.C	
2	C-c1	C 1 x 1/2 x 1/8 (BENT)	1	7	1.3	ASTM A36	(6 x 7 x 6)
1	C-a1	L 3 x 2 x 3/8	0	7	3.4	ASTM A36	
4	C-a2	L 2 x 2 x 3/16	0	6 3/4	1.4	ASTM A36	
4	C-a3	L 2 x 2 x 3/16	0	4	0.8	ASTM A36	
1	C-p1	PL 3/8 x 3	0	3/8	0.1	ASTM A36	
1	C-r1	1"Ø ROD	0	1 1/2	0.3	ASTM A36	MACHINED 0.9840D / 0.764ID
1	C-r2	3/4"Ø ROD	0	4 3/8	0.5	ASTM A36	

HOLES: 13/16" UNO | WELD: 70 KSI ELECTRODES UNO | PAINT: SHOP PRIMER

11-7-2020		JMFVI	PRELIMINARY
MARK	DATE	BY	DESCRIPTION

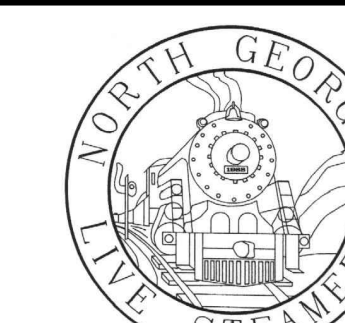


FABREGAS DESIGN SERVICES
ATHENS, GEORGIA 30606
P: (706) 296-8051



NORTH GEORGIA LIVE STEAMERS

P.O. BOX 1809, CONYERS, GEORGIA 30012



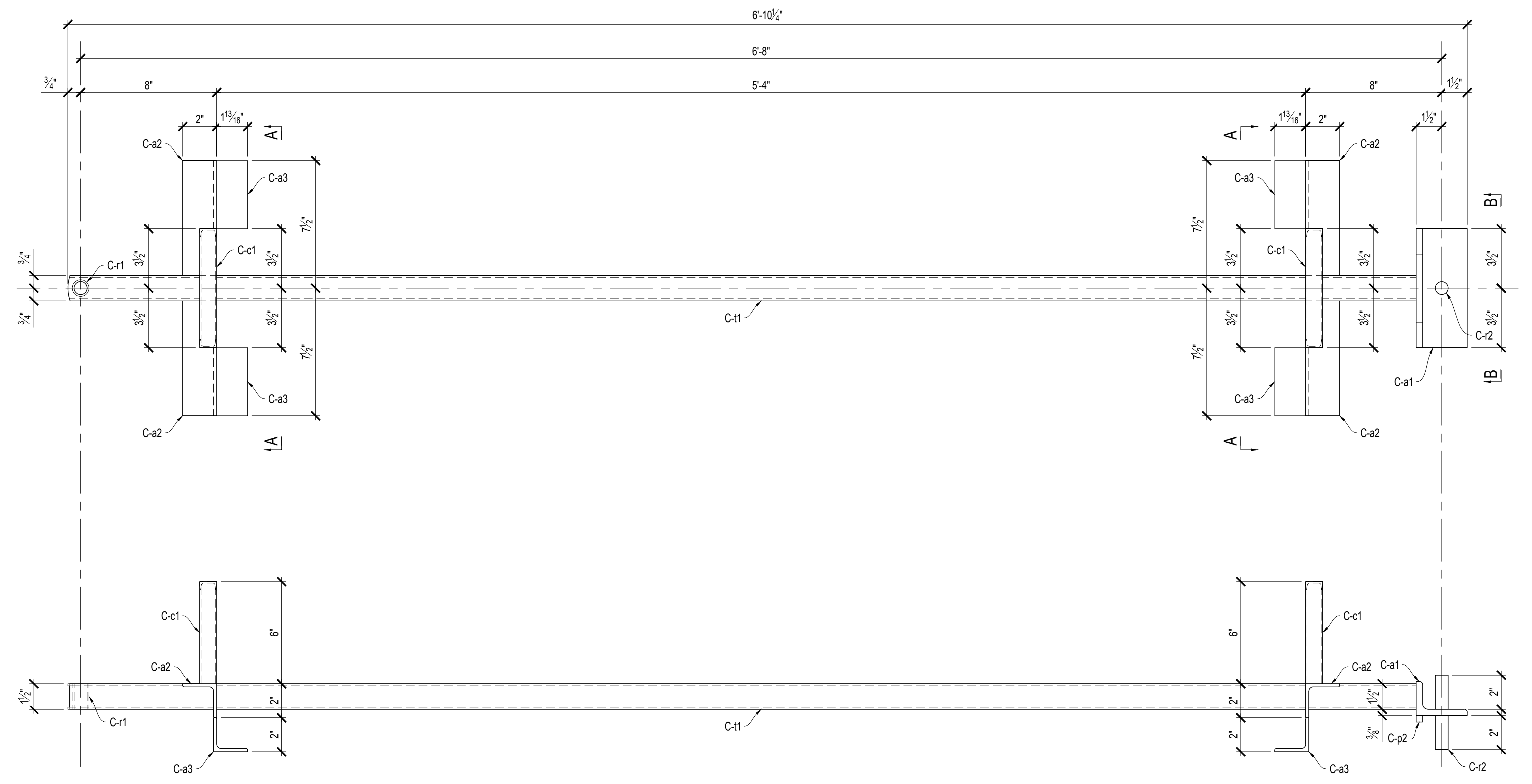


CONYERS & HIGHTOWER TRAIL RR

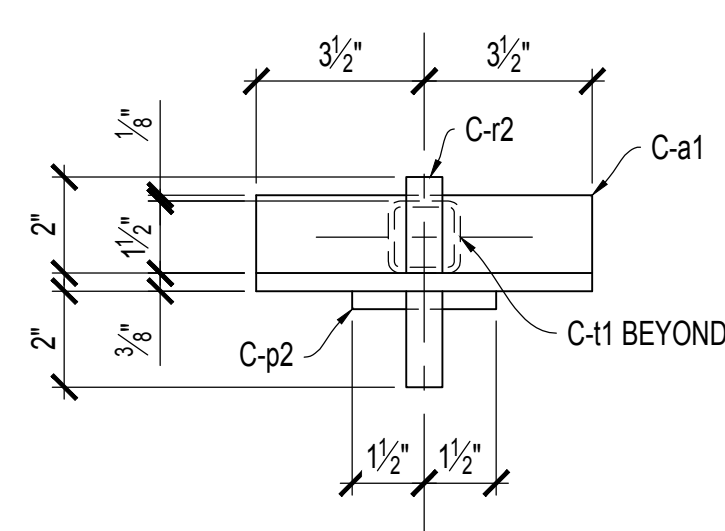
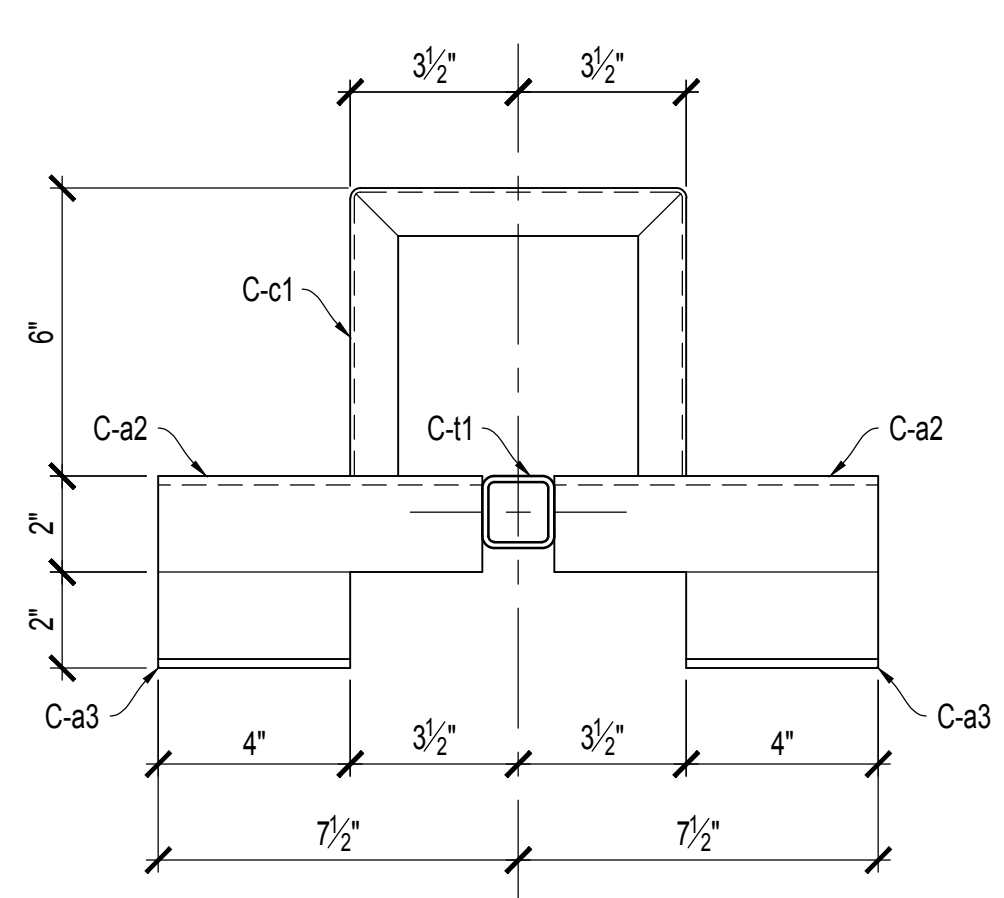
1632 CENTENNIAL OLYMPIC PARKWAY
CONYERS, GEORGIA 30013

RIDING CARS

DRAWN: JMFVI DATE: 11-7-2020 CHECKED: DATE: APPROVED: DATE:	C-UNIT TYPICAL NEW CAR
PROJECT NO: NGLS FILE NAME: NGLS-03-C-UNIT-T ORIGINAL SIZE: 36"x24"	C-UNIT-T SHEET 3 OF 3



ONE-FRAME



NOTE:
FRAMES DIMENSIONED FOR USE WITH LITTLE ENGINES TRUCK #1.

MODEL CENTER, NGLS/CORPORATION
 PRINTED BY: USER | DATE: Saturday, November 07, 2020 5:59:30 AM | DRAWING FILE: F:\train\riding Cars 2020\NGLS-03-C-UNIT-T.dwg | LAST MODIFIED: Friday, October 09, 2020 3:51:46 PM